

\* incl. 20 [-5; +30] mm pull out

3D model is available on request or [www.hyva.com](http://www.hyva.com)

Specifications		Max. pump flow		Tipping time	
Max. working pressure	250 bar	With KO <sup>1</sup>	190 L/min	With KO <sup>1</sup>	28 sec
Weight	315 kg	Without KO <sup>1</sup>	137 L/min	Without KO <sup>1</sup>	39 sec
Working volume	89 L	With KO <sup>1</sup> below -20°C	133 L/min	With KO <sup>1</sup> below -20°C	40 sec
Total volume	97 L	Without KO <sup>1</sup> below -20°C	96 L/min	Without KO <sup>1</sup> below -20°C	56 sec
Max. cyl. load (start tipping)	245 kN			Allowable lowering time	28 sec
Max. cyl. load (end of stroke) <sup>2</sup>	145 kN				
Max. cyl. load (end of stroke) <sup>3</sup>	169 kN				

### Technical notes

- This cylinder is a lifting device only. • It should not be used as a structural member and should not be subjected to side loads. • Tipping valve must have a pressure relief at the cylinder port set not higher than max. working pressure. • Verify max. cyl. load. • Working temperature range is between -40°C and +80°C. • Max. duration of extension is 0.5 hours (excluded hard chromed stages). • Cylinder is painted black (RAL9005) with a min. thickness conforming to the 480 hours neutral salt spray test as per ISO 9227. • <sup>1</sup> Hyva knock-off. • <sup>2</sup> Unsubstantial unloading (sticky load). • <sup>3</sup> Substantial unloading.

### Related documentation

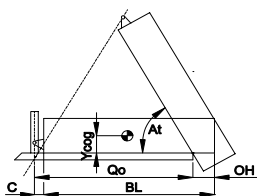
Bracket options:	015BRA10 & 015BRA12
Mounting instructions:	CYL-0030
Oil specifications:	OIL-0011
Spec sheet explanation:	CYL-0041

### Configuration

Extension	1	2	3	4	5	6	7	Total
Effective diameter [mm]	169	149	129	110	91			6480
Stroke* [mm]	1280	1300	1300	1300	1300			

### Tipping weight

For detailed tipping calculations please refer to: <https://tipper.hyva.com>

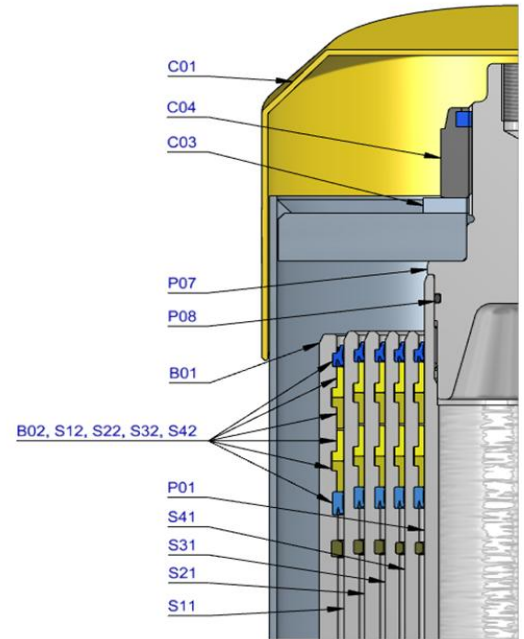


BL body length  
 OH rear overhang  
 Ycog vert. pos. centre of gravity  
 Qo pivot length  
 C bracket length  
 At tipping angle  
 stroke x 60 / Qo

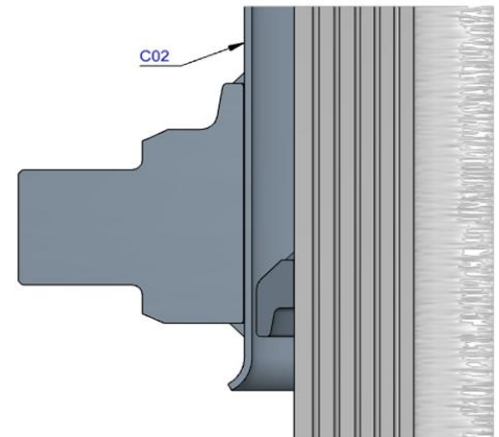
BL [mm]	200	8600	800	200	8100	800	200	7600	800
OH [mm]	44	46	48	47	49	51	51	53	55
At [°]									
Ycog [mm]									
C [mm]	45	48	52	47	51	56	50	54	
At [°]	48	52	56	50					
	51								

Tipping weight [ton] at maximum pressure of 250 bar for a vertically mounted cylinder and C is 229 mm

Pos.	Part no.	Description	Qty.
C01	71839040	DUST COVER FC LOW 15-244	1
C02	71706541	COVER 242-1315 PIN60 A340 FIX	1
C03	01702956K	WASHER M48 DIN 125B ZP	1
C04	01702907K	TOPNUT NYLOC M48x3 DIN 985 ZP	1
P01	74462511	PISTON FL3 S 091-1515-HC	1
P02	71853091K	SLIDER FL 091 (2 X 1/2) A22	1
P03	71851091K	OUTER STOPRING FL 091 A22	1
P04	71822091	BOTTOM PLATE PISTON FL 091	1
P05	01745012K	CIRCLIP 82 DIN 472 (87.5x2.5)	1
P06	71870215K	O-RING PISTON BOTTOM 091	1
P07	71848200	PISTON HEAD FL3 091	1
P08	01226430K	O-RING 72.62 X 3.53 MM	1



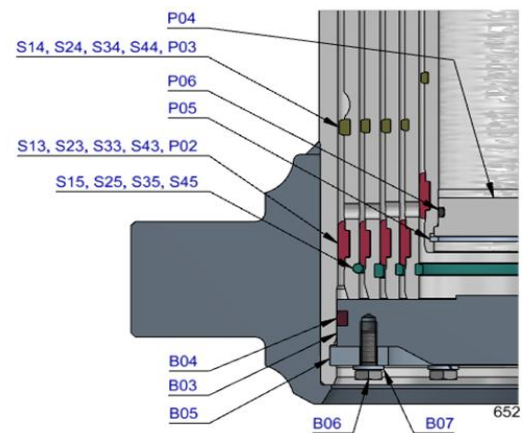
S41	74603510	STAGE FL2 110-1510	1
S42	71802110K	PACKSET FL 110	1
S43	71853110K	SLIDER FL 110 (2 X 1/2) A22	1
S44	71851110K	OUTER STOPRING FL 110 A22	1
S45	71852110K	LIFTRING FL 110 A22	1



S31	74604510	STAGE FL2 129-1510	1
S32	71802129K	PACKSET FL 129/HP 129	1
S33	71853129K	SLIDER FL 129 (2 X 1/2) A22	1
S34	71851129K	OUTER STOPRING FL 129 A22	1
S35	71852129K	LIFTRING FL 129 A22	1

S21	74605510	STAGE FL2 149-1510	1
S22	71802149K	PACKSET FL 149/HP 150	1
S23	71807151K	SLIDER FL 149 A35	1
S24	71851149K	OUTER STOPRING FL 149 A22	1
S25	71852149K	LIFTRING FL 149 A22	1

S11	74606510	STAGE FL2 169-1510	1
S12	71802169K	PACKSET FL 169	1
S13	71807171K	SLIDER FL 169 A35	1
S14	71851169K	OUTER STOPRING FL 169 A22	1
S15	71813169K	LIFTRING FL 169x5	1



B01	74507510R1215	BASE FL2 191-1553-4/4BSAE-190-C242	1
B02	71802191K	PACKSET FL 191	1
B03	71825430	BOTTOM PLATE FL2 191	1
B04	71870040K	SEAL BOTTOM PLATE FL 191	1
B05	71820195	LOCKING PLATE FL2 191	3
B06	01732055K	BOLT HEX M8X20X1.25 SET 6 PCS	1
B07	01732559K	WASHER SPRING M8 SET 6 PCS	1

### Seal kit complete

71908650K	Consists of all packsets with packset grease and O-rings
-----------	--

### Notes

The inner stopring and piston bottom are pre-mounted on spare bases, stage and pistons. Therefore, when ordering new tubes, it is not required to order these parts separately.

For repair instructions see: CYL-0040. Serial no. is located on type plate and near type plate support.