

HYVA GEAR PUMPS



Hyva

gear pump type :

gear pump 082L - BI - 4H - BRITE

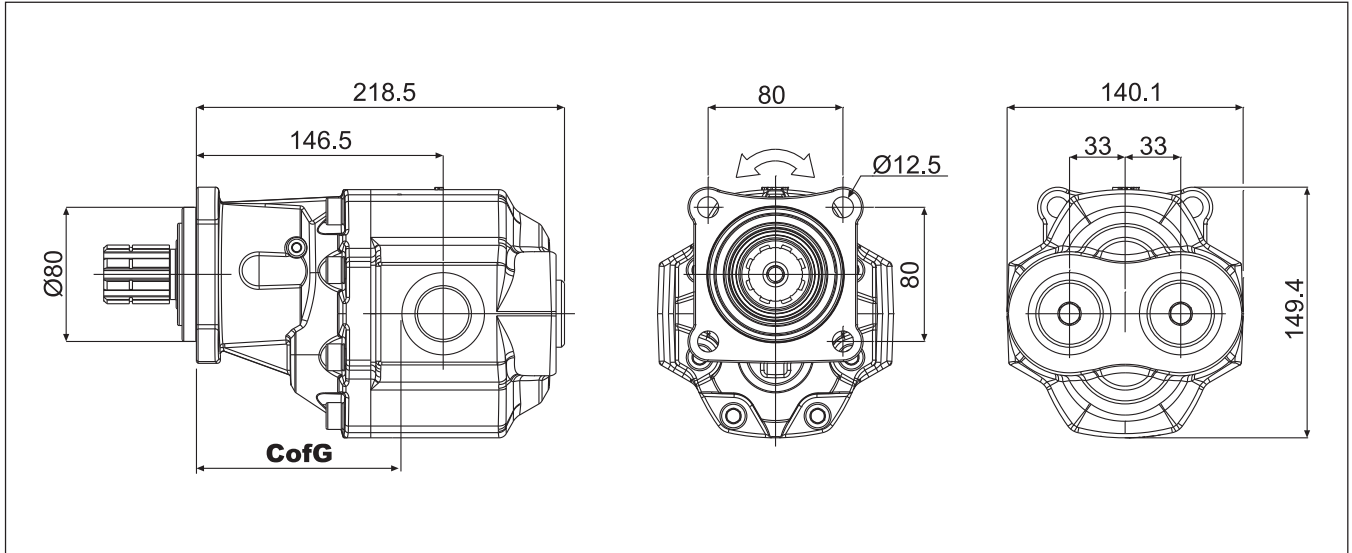
page # 1 / 2

part number :

145 62 025

rotation :

bi-rotational

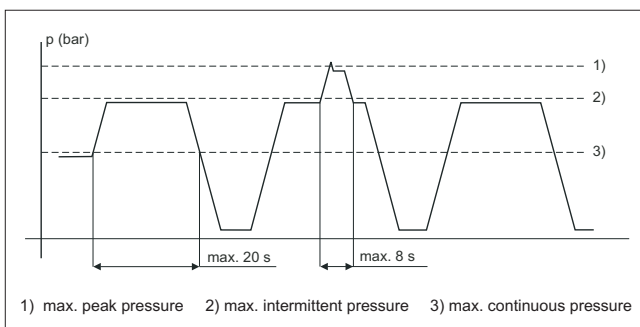


specifications

displacement per revolution	:	81,68	cm ³
maximum peak pressure	:	230	bar
maximum intermittent pressure	:	225	bar
maximum continuous pressure	:	205	bar
maximum speed without load	:		min ⁻¹
max. speed at intermittent press.	:	2500	min ⁻¹
min. speed at intermittent press.	:	300	min ⁻¹
oil temperature range	:	-40 ⇄ 80	°C
inlet pressure range (suction side)	:	0.7 ⇄ 3	bar (abs)
recommended oil viscosity range	:	12 ⇄ 100	mm ² /s (cSt)
maximum starting viscosity	:	750	mm ² /s (cSt)
filtration :			
- working pressure < 200 bar	:	25	µm
- working pressure > 200 bar	:	10	µm
connection :			
- inlet - straight internal thread	:	1	" B.S.P.
- outlet - straight internal thread	:	1	" B.S.P.
minimum suction hose bore diameter	:	1,75	inch
shaft DIN 5462	:	8*32*36	mm
mass	:	16 +/- 0,5	kg
centre of gravity distance (CofG)	:	117,8	mm
noise level at 900 min ⁻¹ and 100 bar	:	66,6	dB(A)
noise level at 1500 min ⁻¹ and 100 bar	:	71,0	dB(A)

efficiency diagram on request

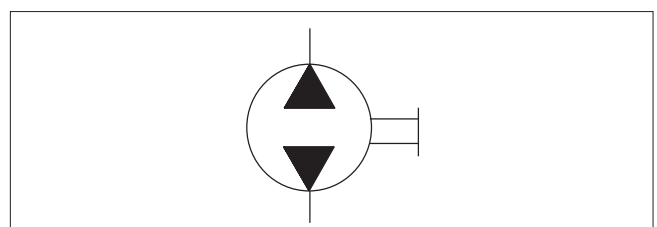
pressure definition



power and torque

Pressure (bar)	50	100	150	200	225
Torque (Nm)	75	142	205	266	294
Power (kW)					
500	4	7	11	14	15
1000	8	15	21	28	31
1500	12	22	32	42	46
2000	16	30	43	56	62
2500	20	37	54	70	77
Flow (L/min.)					
500	39	39	38	38	38
1000	79	77	76	75	75
1500	118	116	114	113	113
2000	157	154	152	151	151
2500	196	193	190	189	188

hydraulic pump symbol

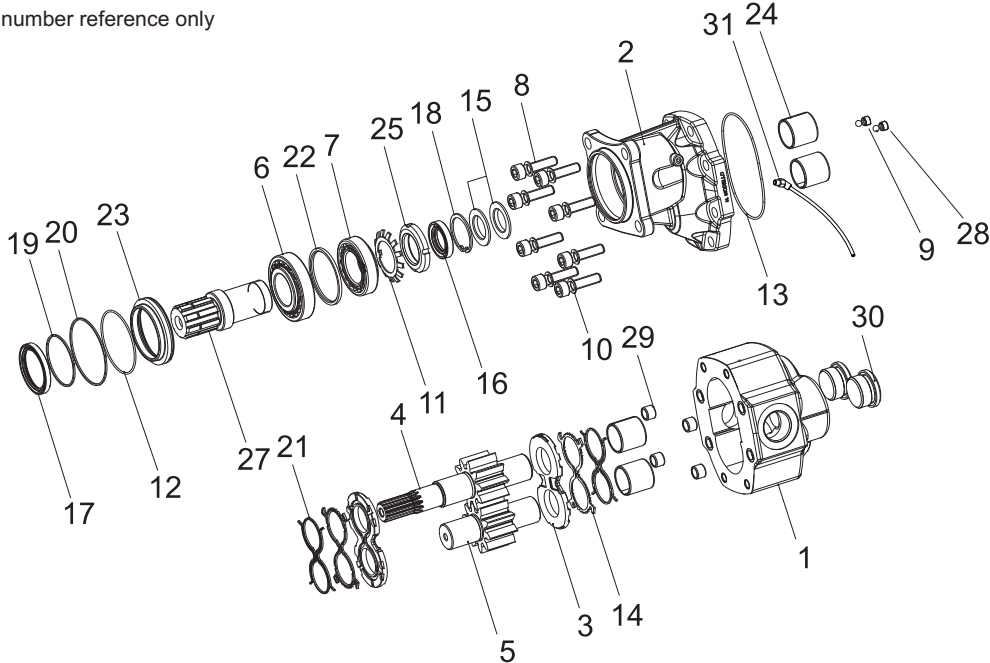


HYVA GEAR PUMPS



Hyva gear pump type : gear pump 082L - BI - 4H - BRITE
 page # 2 / 2 part number : 145 62 025
 rotation : bi-rotational

drawing for part number reference only



spare part list gear pump 145 62 025

pos.	code no.	description	qty.
1		body	1
2		front cover	1
3	022 59 401	thrust plate Brite	2
4	022 59 410	drive shaft	1
5	023 27 452	driven gear	1
6	024 70 520	roller bearing	1
7	024 70 521	roller bearing	1
8		screw	8
9		dowel 1/8"	2
10		washer	8
11		lock washer	1
12	023 91 720	OR-seal	1
13	023 95 800	O-ring	1
14	023 96 570	seal	2
15	024 04 819	shaft seal*	2
16	024 04 825	shaft seal	1
17	023 91 675	shaft seal	1
18	024 08 100	circlip	1
19	023 91 710	locking ring	1
20	023 74 535	locking ring	1
21	023 96 527	back-up ring	2
22	024 92 156	spacer	1
23	023 93 690	shaft seal mounting ring	1
24	024 24 260	sleeve bearing	4
25	024 92 158	threaded locking ring	1
27	024 92 160	support shaft	1
28	023 85 700	ball	2
29	024 92 150	steel bushes	4
30		steel plug	2
31	024 70 180	leak indicator kit pump	1

seal kit

code no.	description	qty.
024 60 001	seal kit complete Grease (comprises 12, 13, 14, 15, 16, 17 & 21)	1

general information and mounting possibilities.

The mentioned data on page 1 is for mineral based oil.
 For other fluids, please contact our engineering dept.

The filtration as mentioned is for tippers only. For different applications we advise filtration according ISO 4406 class 17/14.

To avoid cavitation, the suction hose must be kept as short and straight as possible, and the minimum oil level in the oil tank must be above the inlet of the pump.

Side and/or rear ports can be used as desired.

Torque plugs:
 3/4" 60 Nm
 1" 75 Nm
 1 1/4" 115 Nm

*NOTE:

Shaft seal 15 has been replaced by 2 shaft seals with part number: 02404819